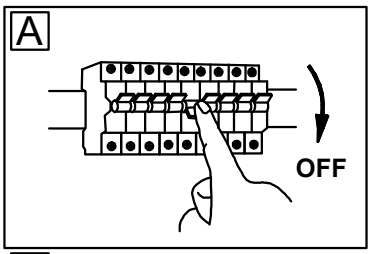
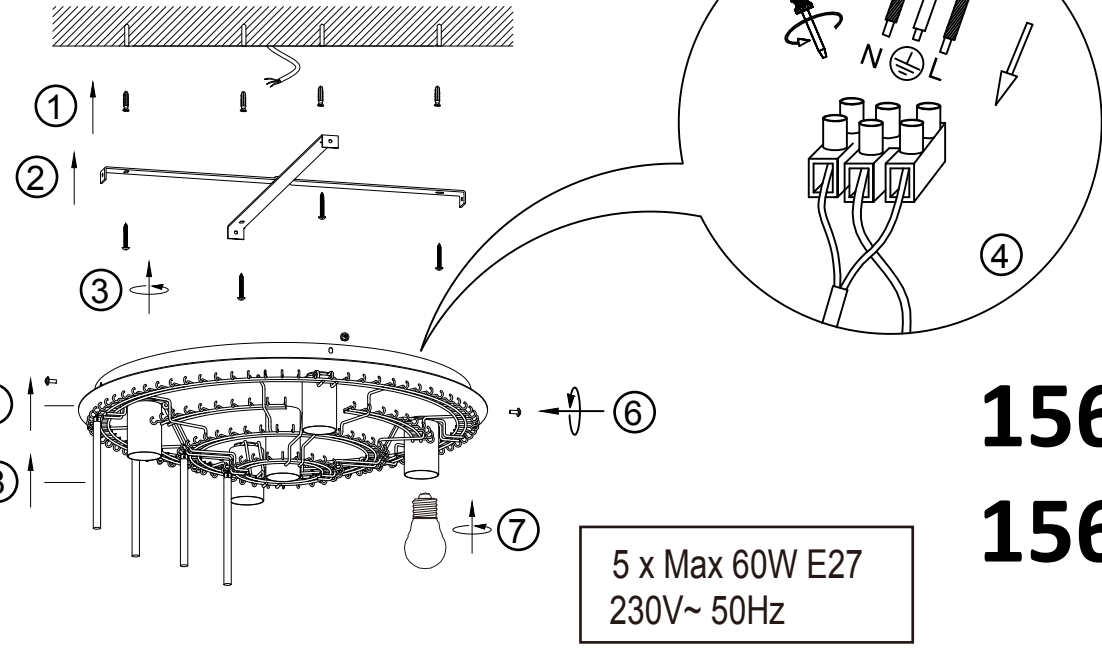


GLOBO

LIGHTING

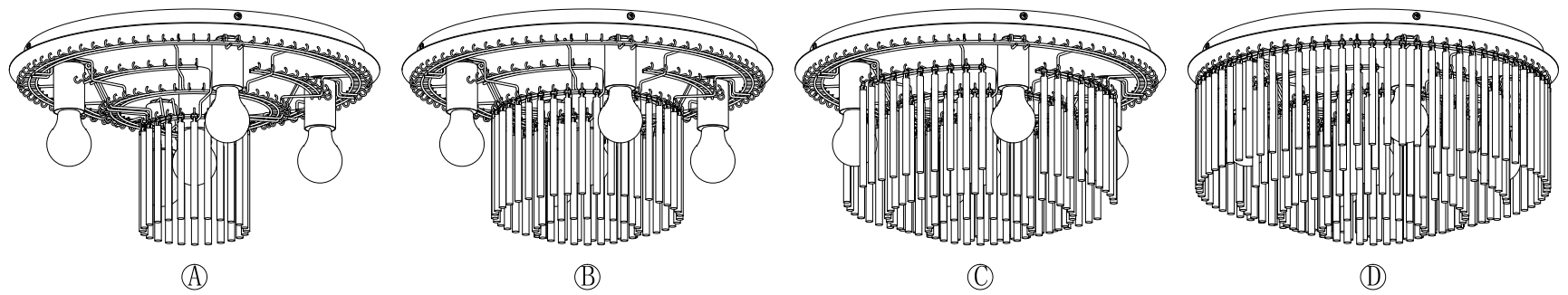


B



15698D1
15698D1M

5 x Max 60W E27
230V~ 50Hz



GLOBO Handels GmbH
Gewerbestr. 3
A-9184 Sankt Peter
Austria
www.globo-lighting.com
office@globo-lighting.com

